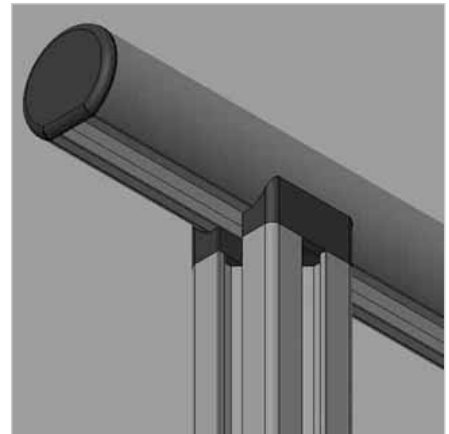
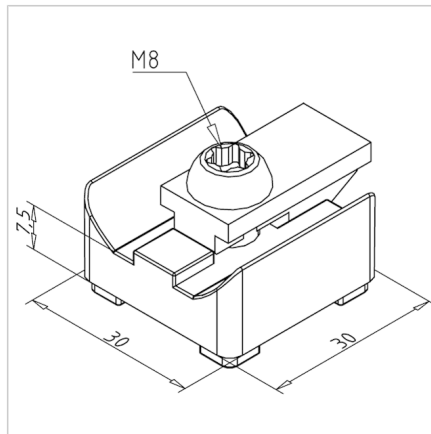
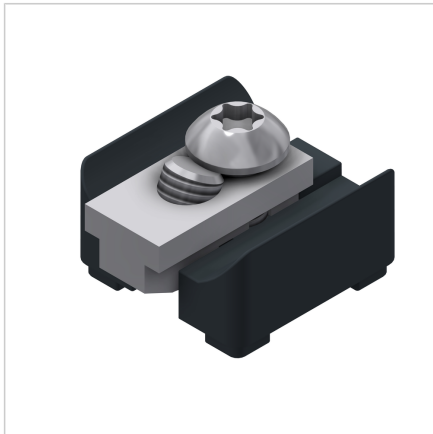


## ADAPTER 30X30 / G 32

Code: 210953/0

Adapter 30 x 30 / G32 for connecting 30 x 30 aluminium profiles with handle profile 32. Easy solution for functional handle integration.

[Link to the product →](#)



### Technical data/items supplied

- Aluminium, Pressure die-casting, powder-coated, grey
- With fastening material steel, zinc plated
- Weight = 0.046 kg/piece

### Applications

- For connection of profile 30 x 30 with handle profile 32

### Assembly

- Screw on profile face and fasten with power-lock fastener
- Push in cross direction profile and attach it to the desired location