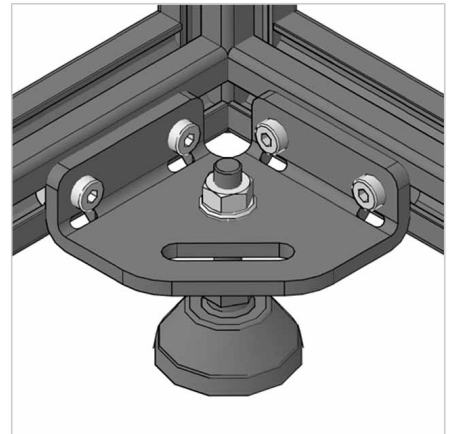
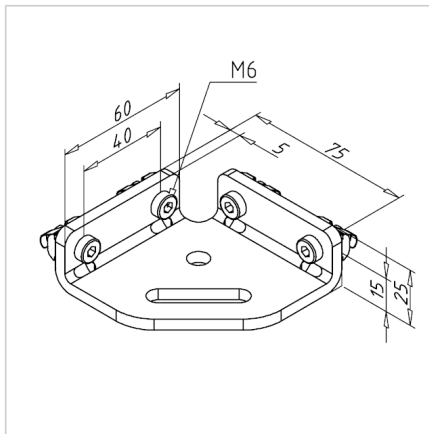


ADAPTER FLANGE 30

Code: 212120/0

Adapter flange ensures stable reinforcement and secure mounting of aluminium profiles, internal feet, or wheels with easy adjustment.

[Link to the product →](#)



Technical data/items supplied

- Steel, powder-coated, grey
- With fastening material steel, zinc plated
- Weight = 0.261 kg/piece

Applications

- Strengthening of profile constructions
- Fixation of internal feet or rollers
- Floor mounting and leveling constructions

Assembly

- Mount onto frame with fixation material from delivery scope