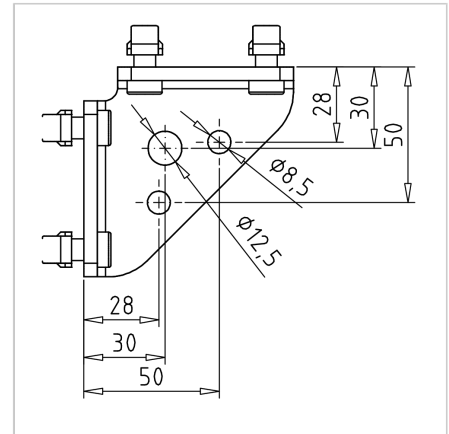
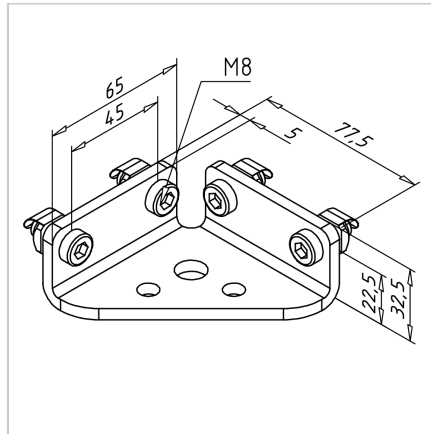
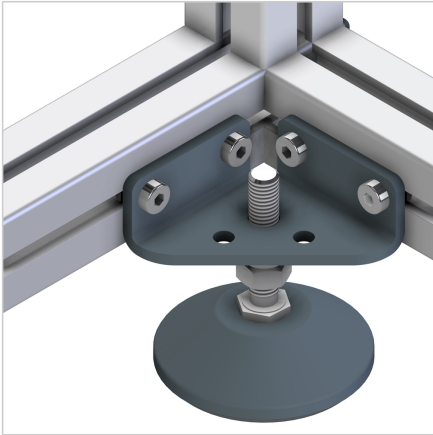


## ADAPTER FLANGE 45

Code: 212300/0

Adapter flange 45 for secure attachment of accessories or components to aluminium profiles of the 45 series. Ensures stable and precise mounting.

[Link to the product →](#)



### Technical data/items supplied

- Steel, powder-coated, grey
- With fastening material steel, zinc plated
- Weight = 0.311 kg/piece

### Applications

- Strengthening of profile constructions
- Fixation of internal feet or rollers
- Floor mounting and leveling constructions

### Assembly

- Mount onto frame with fixation material from delivery scope