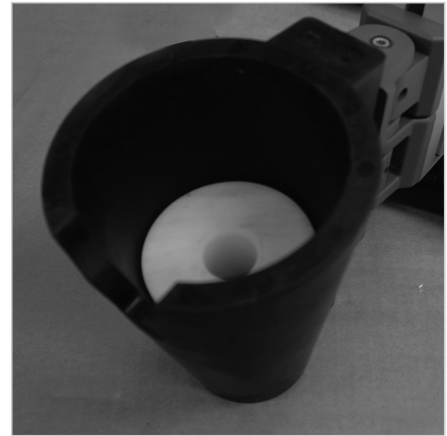
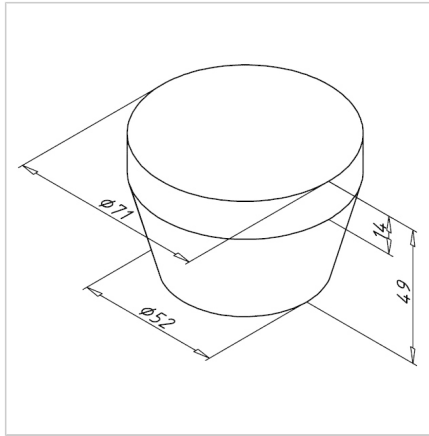
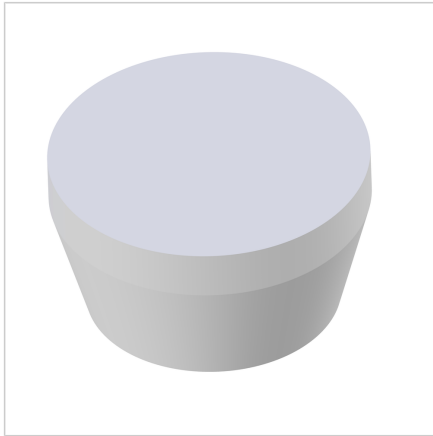


ADAPTER FOR TOOL HANGER WITH OUT BORE

Code: 263002/0

[Link to the product →](#)



Technical data/items supplied

- POM, white
- Standard: without machining
Optional: with machining, e.g. suitably drilled or milled for special tools
- Weight = 0.225 kg/piece

Applications

- Adapter for rod screwdrivers, special screwdrivers, pneumatic screwdrivers and smaller hand tools

Assembly

- Press into tool quiver