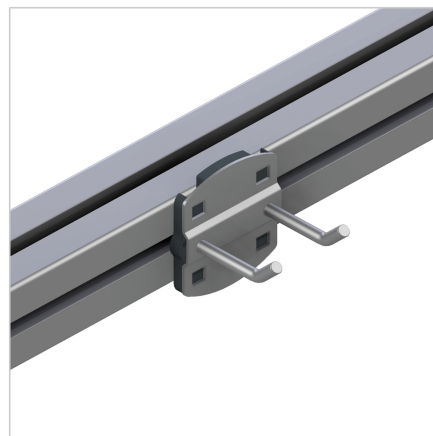
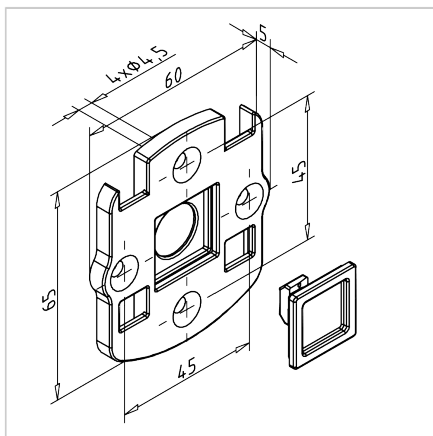
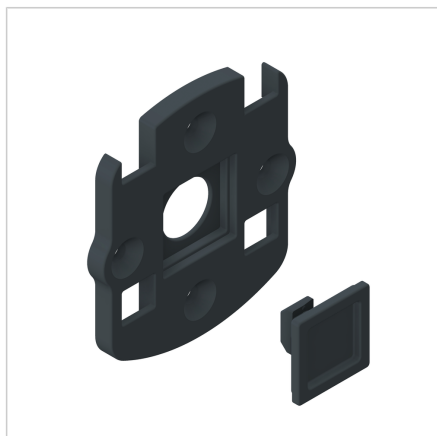


ADAPTER FÜR WERKZEUGHALTER

Code: 320614/0

Tool holder adapter allows mounting tool holders in 45 series profiles, vertically or horizontally, independent of the wall-mounted tool board.

[Link to the product →](#)



Technical data/items supplied

- PA, Injection Mould, grey
- Items supplied: Adapter plate with hammer head
- Weight = 0.013 kg/piece

Applications

- For fixing tool holders directly in the profile grooves of profile series 45
- With this adapter, all components that can be used on our tool boards with square holes, can be attached to profile struts independently of the board
- Can be attached in vertically and in horizontally arranged grooves

Assembly

- Insert hammer head in the adapter plate, guide into the profile groove and turn the plate with hammer head in the profile groove by 90°
- Depending on the application, the adapter plate can also be fixed with countersunk screws
- The tool holders are then simply fitted on the adapter plate and locked with a fixing screw