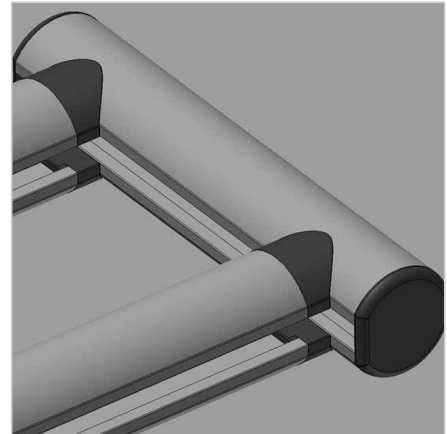
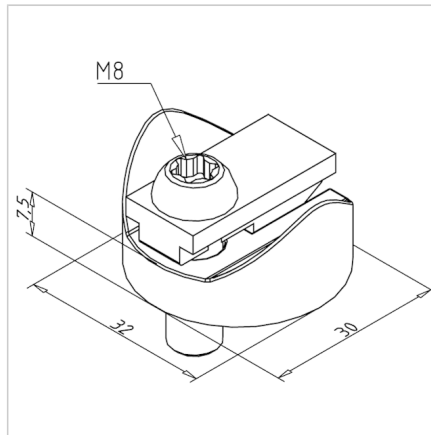
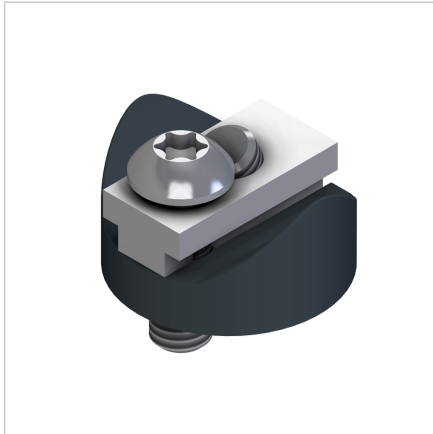


ADAPTER G 32 / G 32

Code: 210954/0

Adapter G32 / G32 for a stable and easy connection between two handle profiles with 32 mm width.

[Link to the product →](#)



Technical data/items supplied

- Aluminium, Pressure die-casting, powder-coated, grey
- With fastening material steel, zinc plated
- Weight = 0.041 kg/piece

Applications

- For connection of handle profile 32 with handle profile 32

Assembly

- Screw on profile face and fasten with power-lock fastener
- Push in cross direction profile and attach it to the desired location