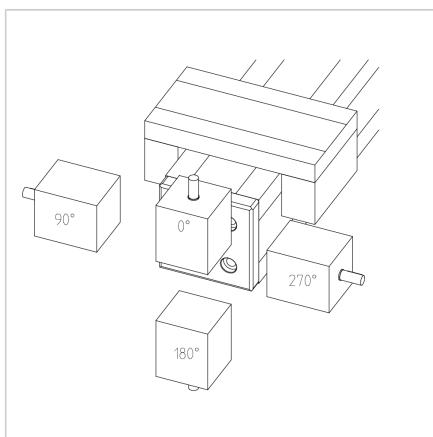
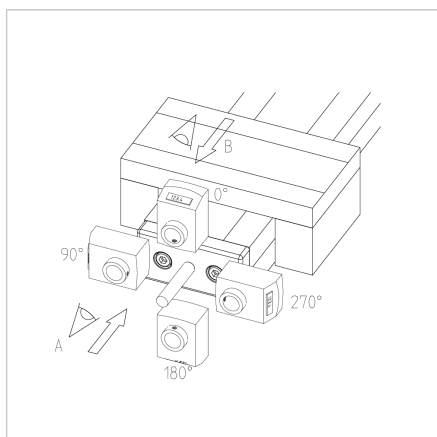
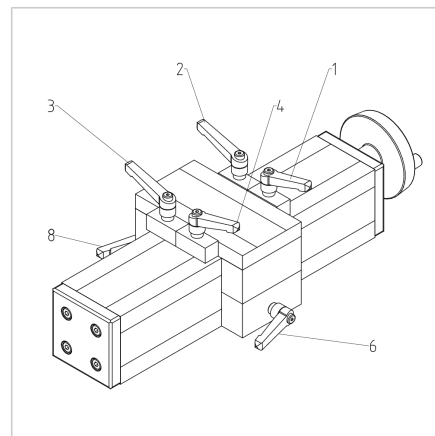
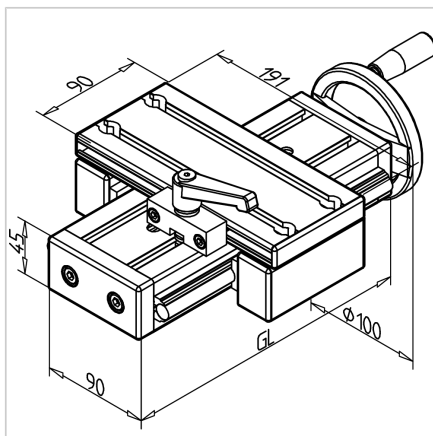
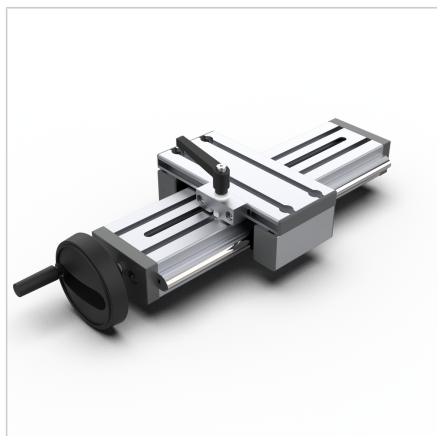


## ADJUSTING UNIT VEW 45X90 F WITH OUT CLAMPING DEVICE AT TOP

Code: 280181/1

Linear unit VEW 45x90 F with top clamping unit allows easy and precise adjustment of conveyors, feeders, and other equipment.

[Link to the product →](#)



### Technical data/items supplied

- Aluminium, anodized E6/EV1
- Slide plate of profile 19 x 90
- Spindle 16 x 4
- **Please indicate desired length of stroke**
- Basic length (GL) 140 mm (at 0 mm stroke)

### Applications

- Adjustment of conveyors
- Adjustment of feeders
- Adjustable devices

### Other versions

- Slide plate made of profile 32 x 180
- Deviating wagon length
- Digital display
- Angular drive
- Spindle cover
- Shafts stainless
- Longer length possible if needed