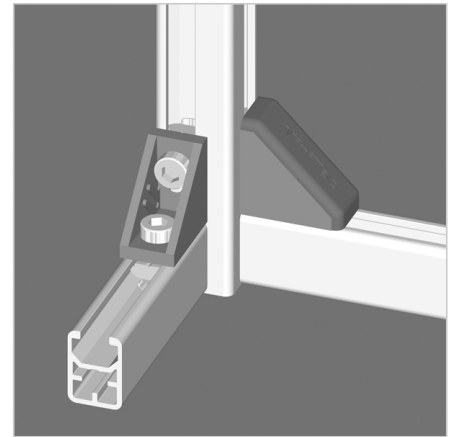
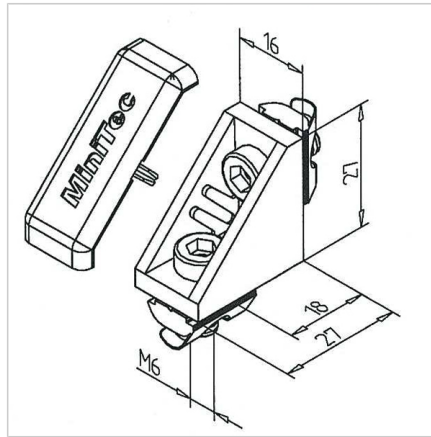


ANGLE 16 GD-Z

Code: 212077/0

Mounting angle 16 GD-Z for secure angled aluminium profile connections without machining. Enhances precision, durability, and assembly flexibility.

[Link to the product →](#)



Technical data/items supplied

- Aluminium, Pressure die-casting, powder-coated, grey
- With fastening material steel, zinc plated
- Removable centering tabs
- **Conductive version part no. 212077/6**
- Weight = 0.021 kg/piece

Applications

- Construction from profiles with width of 16 and 23; specifically suitable for the subsequent mounting of elements in existent constructions
- Fastening of surface elements, table tops
- Reinforcement of constructions made from profile series 16 or 23

Assembly

- Fasten to profile groove with supplied hardware
- Recommended torque: 8 Nm
- Fitting end cap MW 16 GD-Z grey, **part no. 221138/1**