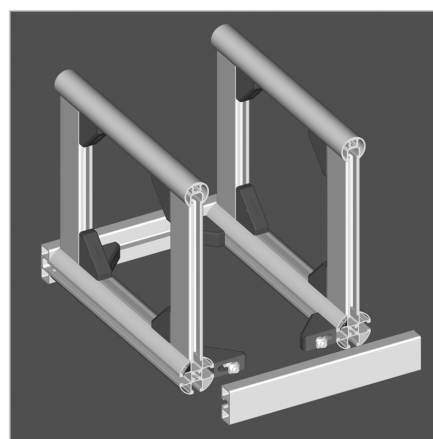
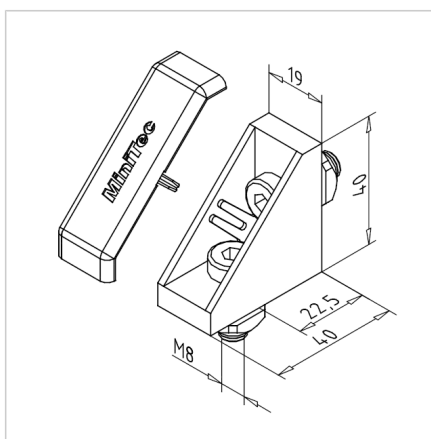
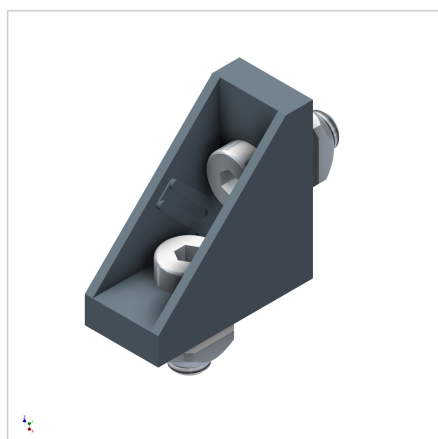


ANGLE 19 GD-Z

Code: 212078/0

Mounting angle 19 GD-Z for secure angled aluminium profile connections without machining. Enhances precision, durability, and assembly flexibility.

[Link to the product →](#)



Technical data/items supplied

- Aluminium, Pressure die-casting, powder-coated, grey
- With fastening material steel, zinc plated
- **Conductive version part no. 212078/6**
- For use on vertical struts, mounting angle **part no. 212078/7** (square nuts with position-fixing)
- Weight = 0.055 kg/piece

Applications

- Connection of profiles 19 and 32
- Subsequent insertion of profiles into existing constructions
- Attaching bearing surfaces
- Slidable in the groove direction

Assembly

- Fasten to profile groove with supplied hardware
- Fitting end cap MW 19 GD-Z, grey, **part no. 221139/1**
- Recommended locking torque: 20 Nm