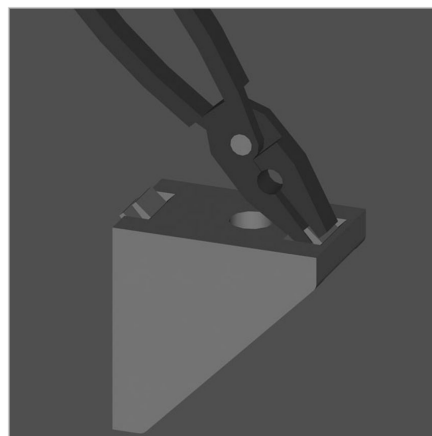
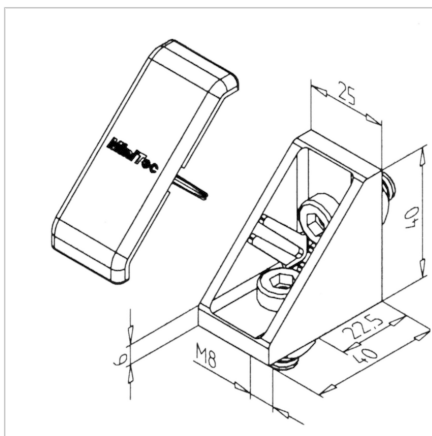
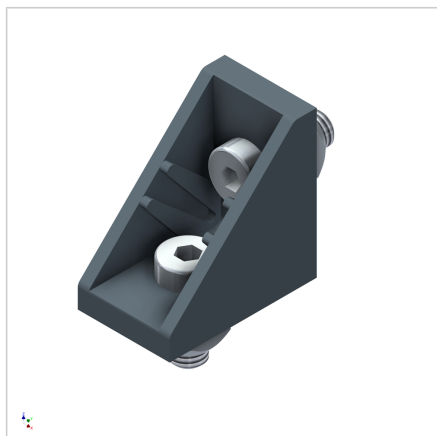


ANGLE 25 GD-Z

Code: 210969/0

Mounting angle 25 GD-Z for secure angled aluminium profile connections without machining. Enhances precision, durability, and assembly flexibility.

[Link to the product →](#)



Technical data/items supplied

- Aluminium, Pressure die-casting, powder-coated, grey
- With fastening material steel, zinc plated
- Removable centering tabs
- **Conductive version part no. 210969/6**
- for use on vertical struts, mounting angle **part no. 210969/7** (square nuts with position-fixing)
- Weight = 0.066 kg/piece

Applications

- General constructions, particularly for subsequent insertion of profiles into existing constructions
- Fastening of surface elements, table tops
- Strengthening of profile constructions

Assembly

- Fasten to profile groove with supplied hardware
- If non-aligning grooves, break centering tabs with pliers
- Fitting end cap MW 25 GD-Z, **part no. 220997/1**
- Recommended locking torque: 20 Nm