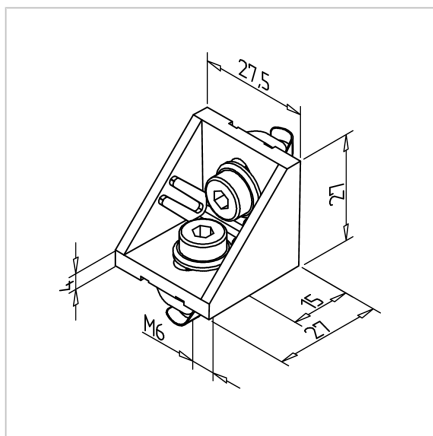
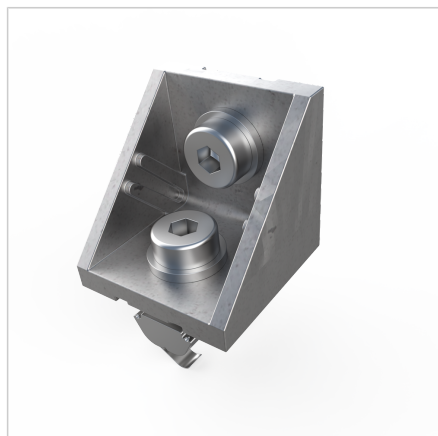


ANGLE 30 GD-Z ESD

Code: 210905/6

Conductive mounting angle 30 GD-Z for safe aluminium profile connections with ESD protection. Prevents static discharge, ideal for sensitive equipment.

[Link to the product →](#)



Technical data/items supplied

- Aluminium, Pressure die-casting, blasted
- With fastening material steel, zinc plated
- Removable centering tabs
- Weight = 0.029 kg/piece

Applications

- Fastening of surface elements, table tops
- All types of constructions; specifically suited for the subsequent mounting of elements in existing constructions

Assembly

- Strengthening of profile constructions
- Recommended torque: 8 Nm
- For subsequent mounting on vertical nut, a square nut M8 Z with nut fixation, **part no. 211390/2** is preferred
- Fasten to profile groove with supplied hardware