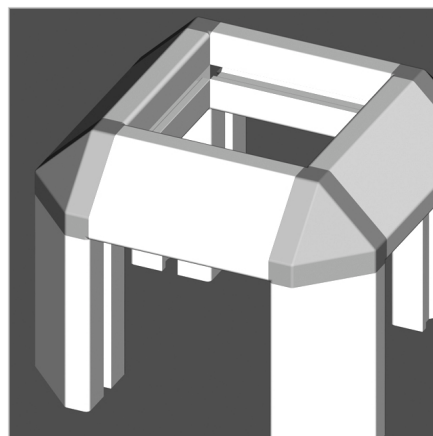
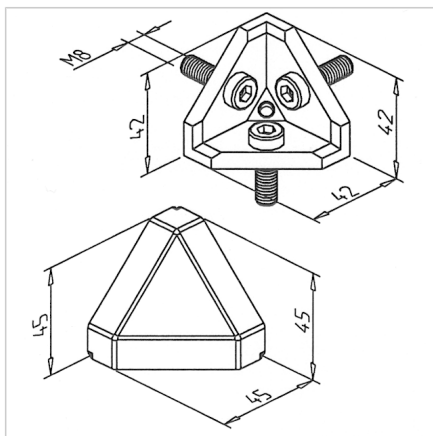


ANGLE 45° GREY

Code: 211708/1

Mounting angle 45° for secure angled aluminium profile connections without machining. Enhances precision, durability, and assembly flexibility.

[Link to the product →](#)



Technical data/items supplied

- Aluminium, Pressure die-casting, bright
- With fastening material steel, zinc plated
- End cap 45°/3, grey **part no. 221027/1**
- Weight = 0.107 kg/piece

Applications

- Corner fastening of profiles 45 / 45°
- Constructions for show cases, tables etc.

Assembly

- In the central bore of the profile with supplied hardware
- Clip the end cap