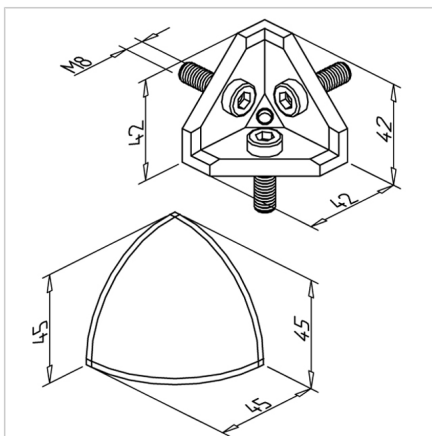
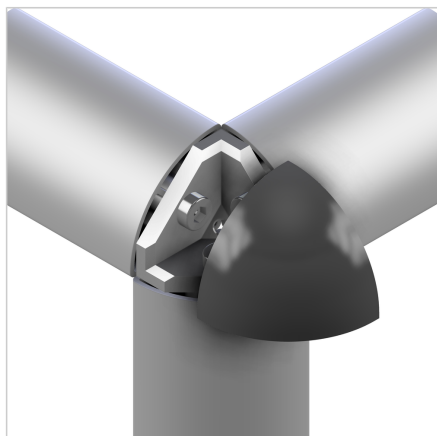


ANGLE 45 R 90° GREY

Code: 211710/1

Mounting angle 45 R 90° for secure angled aluminium profile connections without machining. Enhances precision, durability, and assembly flexibility.

[Link to the product →](#)



Technical data/items supplied

- Aluminium, Pressure die-casting, bright
- With fastening material steel, zinc plated
- End cap MW 45 R 90° **part no. 221033/1**
- Weight = 0.098 kg/piece

Applications

- Corner fastening of profiles 45 R 90°
- Constructions for show cases, tables etc.

Assembly

- In the central bore of the profile with supplied hardware
- Clip the end cap