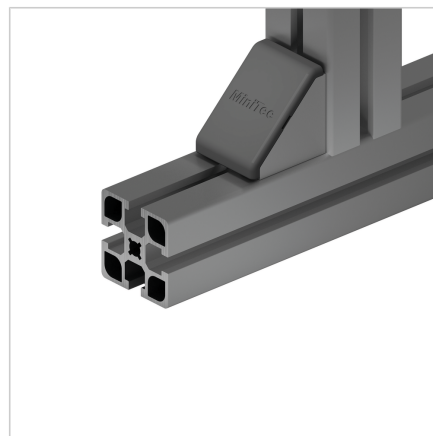
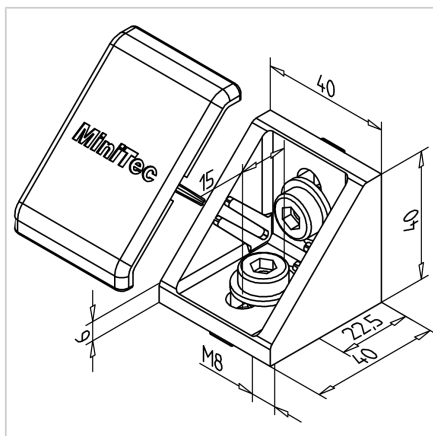
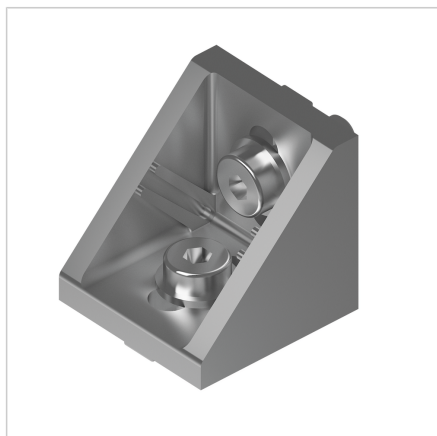


ANGLE 45 VA WITH NUTS M8 POSITIONAL FIX

Code: 210045/7

Inox mounting angle 45 VA-Z with M8 square nut and position-fixing for easy installation and precise positioning without machining. Enhances assembly stability.

[Link to the product →](#)



Technical data/items supplied

- Stainless steel
- With fixing material, stainless steel
- Weight = 0.205 kg/piece

Applications

- General constructions, particularly for subsequent insertion of profiles into existing constructions
- Strengthening of profile constructions

Assembly

- Fasten to profile groove with supplied hardware
- Recommended locking torque: 20 Nm
- Fitting end cap MW 45 GD-Z, **part no.** [221024/1](#)