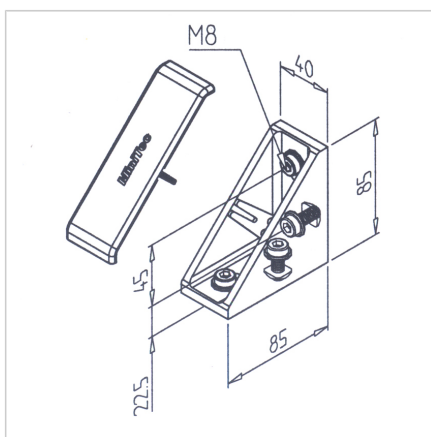


## ANGLE 45X90 GD-Z WITH SQUARE NUT M8 WITH POSITION-FIXING

Code: 211397/7

Mounting angle 45 x 90 GD-Z with M8 square nut and position-fixing for easy installation and precise positioning without machining. Enhances assembly stability.

[Link to the product →](#)



### Technical data/items supplied

- Aluminium, Pressure die-casting, powder-coated, grey
- With fastening material steel, zinc plated
- Weight = 0.281 kg/piece

### Applications

- General constructions, particularly for subsequent insertion of profiles into existing constructions
- Fastening of surface elements, table tops
- Strengthening of profile constructions

### Assembly

- Fasten to profile groove with supplied hardware
- Hammer head screw **part no. 21.1370/0** can be used
- Fitting end cap MW 45 x90 GD-Z, **part no. 220998/1**
- Recommended locking torque: 20 Nm