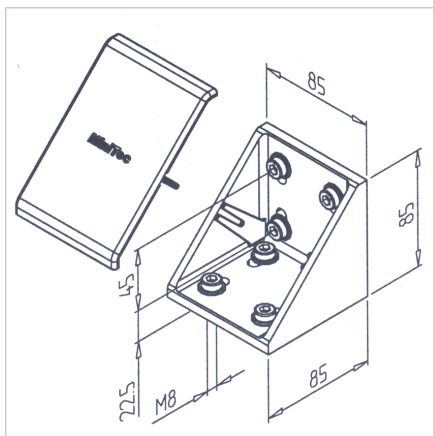


ANGLE 90 GD-Z

Code: 210978/0

Mounting angle 90 GD-Z for secure angled aluminium profile connections without machining. Enhances precision, durability, and assembly flexibility.

[Link to the product →](#)



Technical data/items supplied

- Aluminium, Pressure die-casting, powder-coated, grey
- With fastening material steel, zinc plated
- **Conductive version part no. 210978/6**
- For use on vertical struts, mounting angle **part no. 210978/7** (square nuts with position-fixing)
- Weight = 0.497 kg/piece

Applications

- For profiles 90 and 180
- General constructions, particularly for subsequent insertion of profiles into existing constructions
- Strengthening of profile constructions

Assembly

- Fasten to profile groove with supplied hardware
- Hammer head screw **part no. 211370/0** can be used
- End cap MW 90 GD-Z **part-No. 220999/1**
- Recommended locking torque: 20 Nm