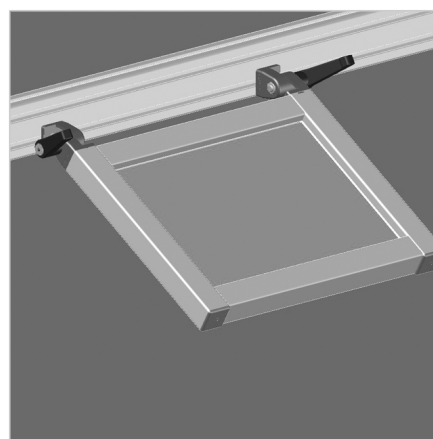
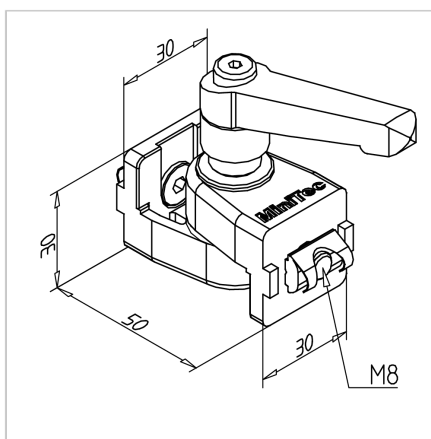


ANGLE BRACKET 30 S WITH CLAMPING LEVER

Code: 212225/0

Reliable swivel joint for aluminium profiles 30 S with fixable design, enabling easy integration of movable parts into aluminium profile systems.

[Link to the product →](#)



Technical data/items supplied

- Aluminium, Pressure die-casting, powder-coated, grey
- With low-friction sliding bearing
- With fastening material steel, zinc plated
- Locking device against torsion
- Weight = 0.176 kg/piece

Applications

- For the storage of movable add-on parts
- Clamping lever for positioning of add-on parts
- Fastening of quick-to-adjust components such as gripping shells, measuring devices

Assembly

- Attach the first joint half to the profile
- Fasten the second joint half to the supporting frame
- Screw both parts together on hinge point