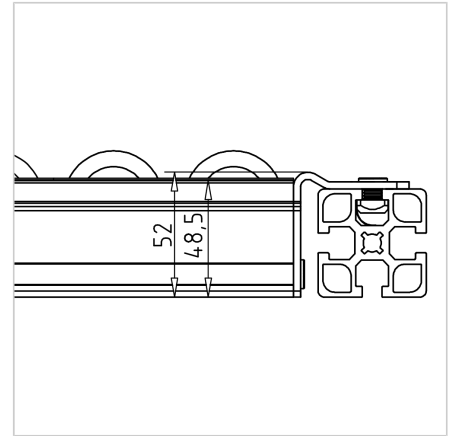
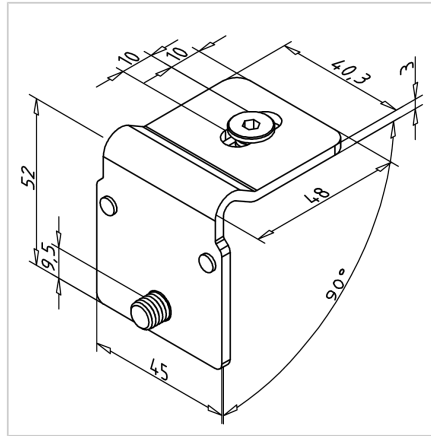


ANGLE BRACKET 45 FRS-0°

Code: 320666/0

[Link to the product →](#)



Technical data/items supplied

- Stainless steel
- Weight = 0.103 kg/piece
- Bar length = 0.3 m

Applications

- For making roller strips without slope
- For attaching to profile 45 FRS **article no.** [201152/0](#)

Assembly

- Insert and screw on the thread M8 into the central hole in the end face of the profile, then position the complete roller strip on the crossbeam and fasten