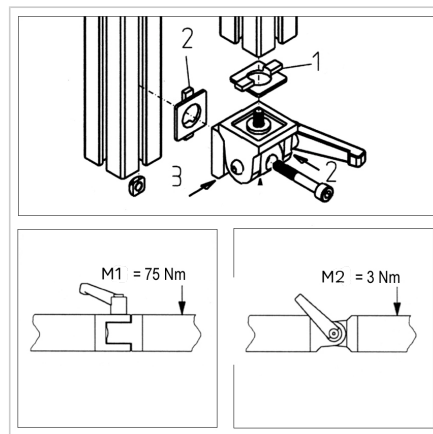
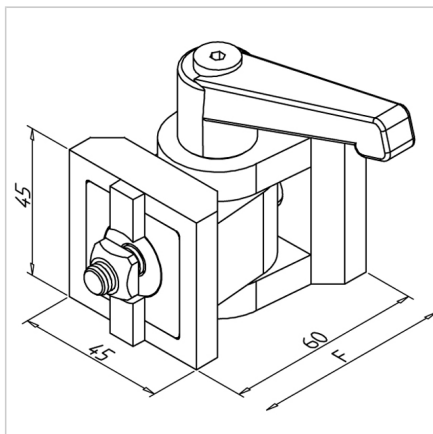


## ANGLE BRACKET 45 WITH CLAMPING LEVER

Code: 212010/0

Swivel link 45 for secure mounting of heavy swing doors and quick adjustment of add-on components.

[Link to the product →](#)



### Technical data/items supplied

- Aluminium, Pressure die-casting, powder-coated, grey
- With fastening material steel, zinc plated
- With low-friction sliding bearing
- Anti-rotation device AL GD
- Load  $F_{max}$  1500 N
- For use on vertical struts, swivel link **part no. 212010/7** (square nuts with position fixing)
- Weight = 0.339 kg/piece

### Applications

- Heavy duty swing doors, storage of moving parts
- Clamping lever for positioning of add-on parts
- Fastening of quick-to-adjust components such as gripping shells, measuring devices
- For heavy loads use multiple hinges

### Assembly

- 1: Joint half with pre-mounted screw to desired position fasten
- 2: Fix with screws included
- 3: Tighten clamping lever