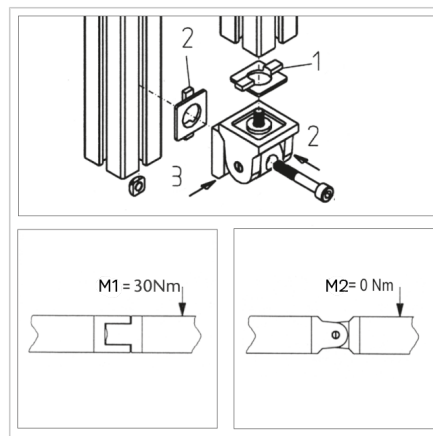
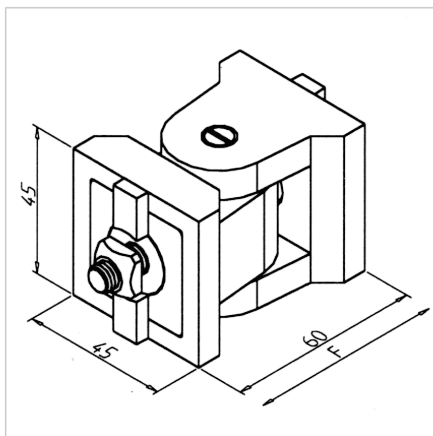


ANGLE BRACKET 45

Code: 212020/0

Swivel joint 45 enables rotational, reliable and strong connection of aluminium profiles for adaptable and long-lasting constructions.

[Link to the product →](#)



M1 = 30Nm_i

M2 = 0 Nm

Technical data/items supplied

- Aluminium, Pressure die-casting, powder-coated, grey
- With fastening material steel, zinc plated
- With low-friction sliding bearing
- Anti-rotation device AL GD
- Load F_{max} 1500 N
- For use on vertical struts, swivel link **part no. 212030/121.2010/7** (square nuts with position fixing)
- Weight = 0.240 kg/piece

Applications

- Heavy duty swing doors, storage of moving parts
- Not lockable
- For heavy loads use multiple hinges

Assembly

- 1: Joint half with pre-mounted screw to desired position fasten
- 2: Insert screw from items included and fix link half 2 (to do so, swing movable side by approx. 90°, do not undo hinge pins!)