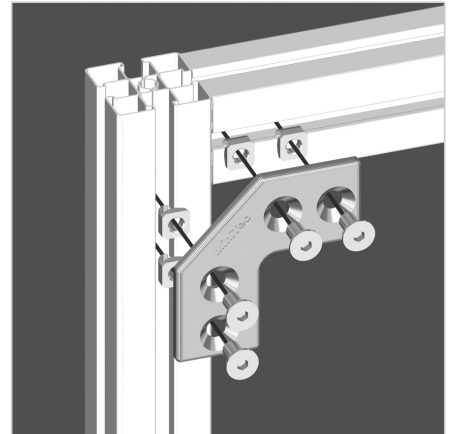
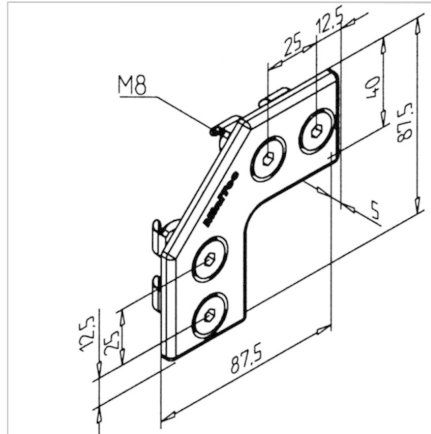


ANGLE PLATE VA

Code: 210018/0

Stainless steel angle sheet for strengthening aluminium constructions. Also suitable for cross joints in double application.

[Link to the product →](#)



Technical data/items supplied

- Stainless steel, blasted
- With fixing material, stainless steel
- Weight = 0.163 kg/piece

Applications

- Strengthening of profile constructions
- Also suitable for cross joints (double application)

Assembly

- Attach to the profile with supplied hardware
- Use power-lock fasteners if tractive forces appear