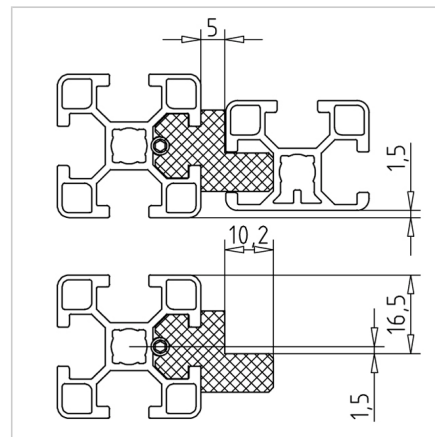
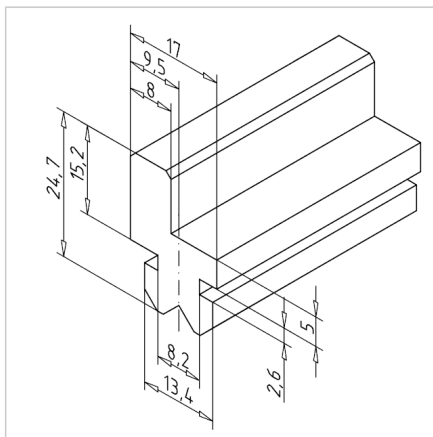
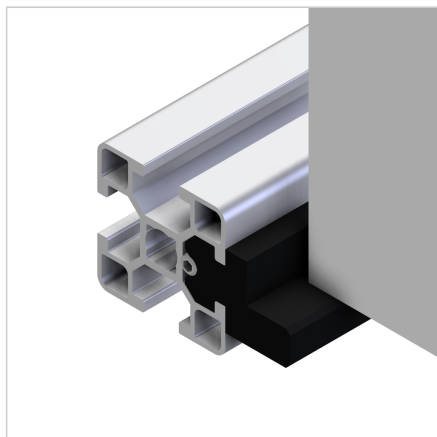


ANGLE SLIDING RAIL 30

Code: 221171/0

Angular slide rail 30 for precise guided movement of doors and components at an angle in industrial structures.

[Link to the product →](#)



Technical data/items supplied

- PE-UHMW, black
- Particularly wear-resistant, impact-resistant and insensitive to scratches
- Weight = 0.248 kg/m
- Bar length = 2 m

Applications

- Guiding sliding doors, pull-outs, fixtures

Assembly

- Slide into profile groove
- The slide rail can be fixed on request with a threaded pin M4
- To reduce friction in moving parts, we recommend using the slide rail in short pieces with a maximum length of 100 mm