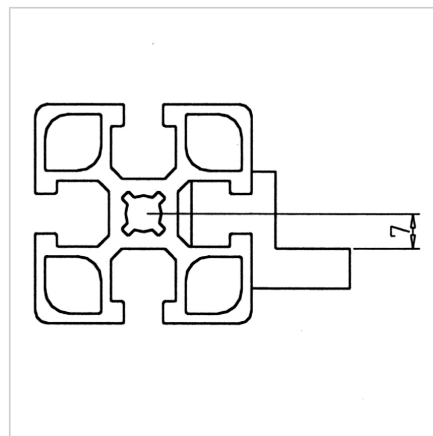
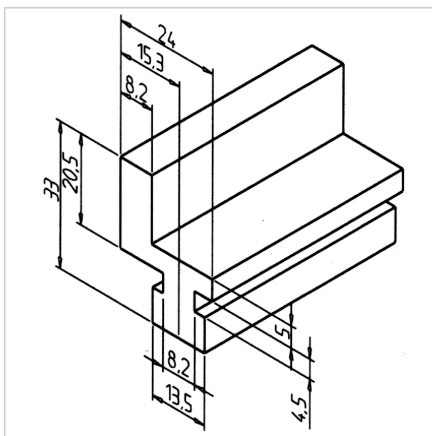
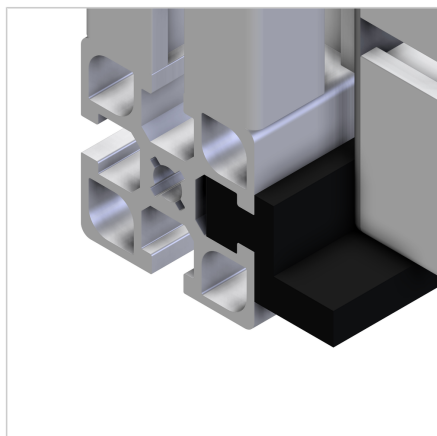


ANGULAR SLIDE BAR

Code: 221040/0

Angular slide rail 45 ensures precise guidance and reliable side stopping in conveyor systems and belt conveyors, enhancing operational efficiency and safety.

[Link to the product →](#)



Technical data/items supplied

- PE-UHMW, črn
- Posebej odporen proti obrabi, udarcem in neobčutljiv na praske
- Teža = 0,480 kg/m
- Dolžina palice = 2 m

Applications

- Conveying systems
- Belt conveyors
- Side stop in conveyor sections

Assembly

- Insert in profile groove and if necessary with grub screw M6 x 16 **part no.** 21.1324/0 secure.
- To reduce friction in moving parts, we recommend using the slide rail in short pieces with a maximum length of 100 mm