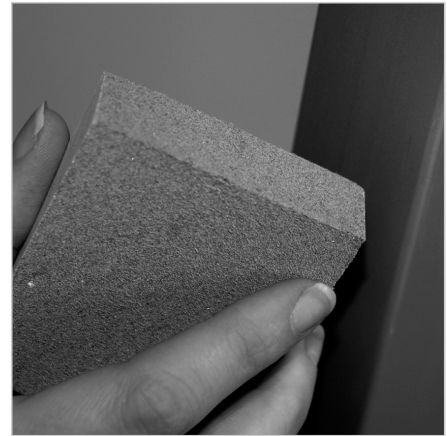
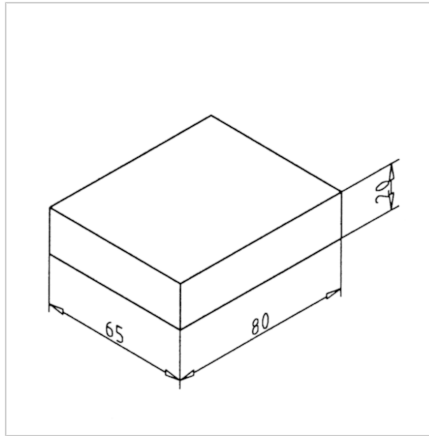


ANODISING POLISHER

Code: 260811/0

[Link to the product →](#)



Technical data/items supplied

- Elastic bonded abrasive
- Weight = 0.138 kg/piece

Applications

- To remove minor scratches on anodic coating
- To equal "shades" on anodic coating

Assembly

- Also suitable for hard-to-reach positions (eraser can be cut to size)
- Dry and wet implementation - Water reinforces the functioning
- Even polished sections without physical effort
- Water- and oil-resistant
- Ecofriendly, no detergents necessary
- Long life cycle