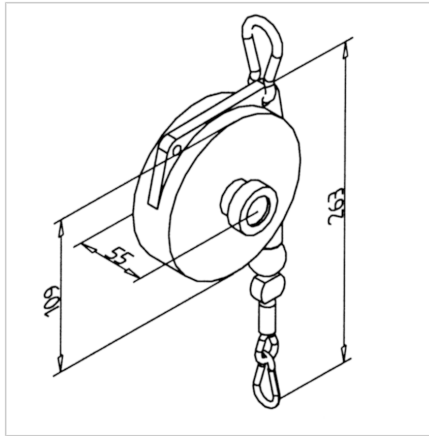


## BALANCER 2-3 KG

Code: 290111/0

[Link to the product →](#)



### Technical data/items supplied

- For tool weights 2-3 kg
- Cable pullout approx. 1600 mm
- For higher weights upon request
- Weight = 0.753 kg/piece

### Applications

- Tools hung up ergonomically

### Assembly

- Use snap hook supplied to hook into tool slider H **Part no. 221213/0** (suitable for all 45 and 30 profiles)