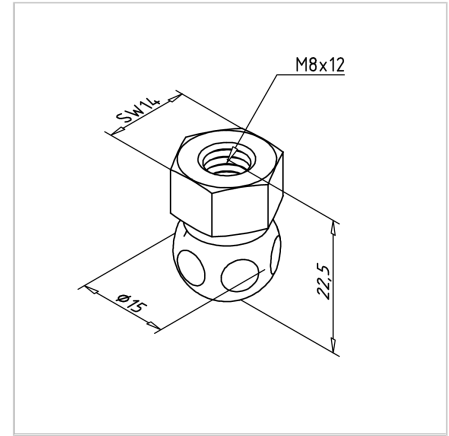
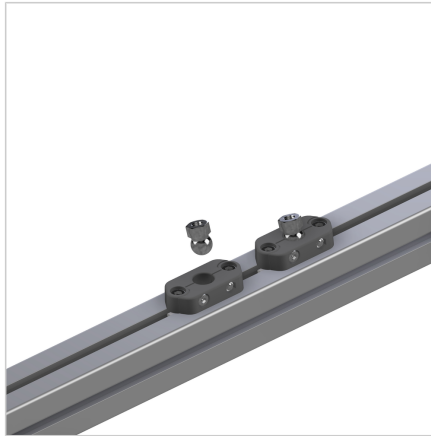


## BALL HEAD M08

Code: 212506/0

[Link to the product →](#)



### Technical data/items supplied

- Steel, galvanized
- Ball Ø15 mm
- Internal thread M8x12
- Weight = 0.020 kg/piece

### Applications

- For use in combination with Clip Block **part no. 221181/0**
- For the preparation of linings or hinged feet in special design, see hinged feet PA

### Assembly

- Fasten onto preferred component with screw M8
- Use for fastening to profile groove setscrew M8x20 and square nut M8