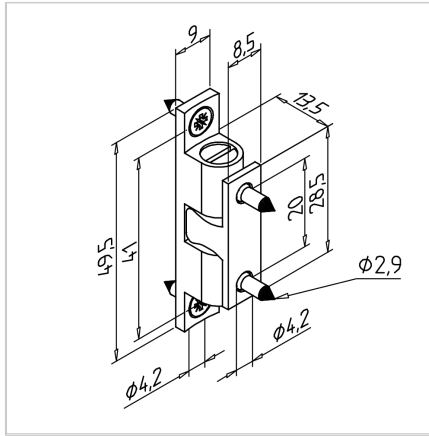
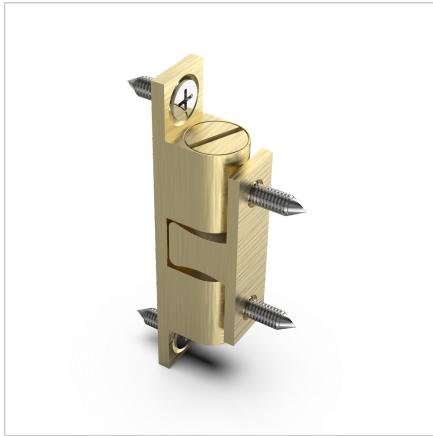


BALL LATCH 50

Code: 211763/0

[Link to the product →](#)



Technical data/items supplied

- Brass
- With fastening material steel, zinc plated
- Holding force approx. 10 N
- Weight = 0.030 kg/piece

Applications

- Stop and catch for sliding doors, swing doors, lids
- Ball latch 50 suitable for T-slots of reworked profiles. Allows gap-free closing of sliding doors
- Doors, lids, removable surface elements

Assembly

- Use fastening kit to fix the ball latch on any surface
- If applicable, use carrier for catch-bearing 50 **part no. 211139/0**