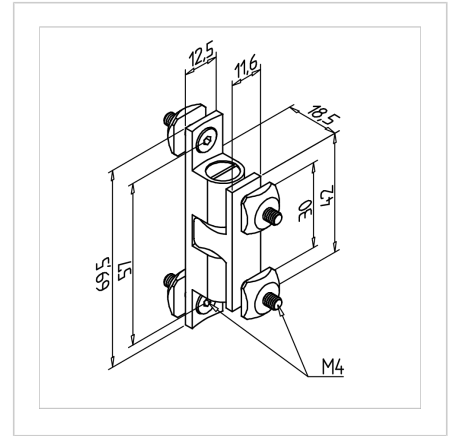
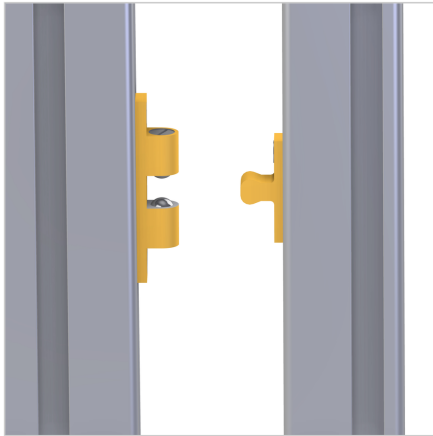


## BALL LATCH 70

Code: 211757/0

[Link to the product →](#)



### Technical data/items supplied

- Brass
- With fastening material steel, zinc plated
- Holding force approx. 70 N
- For use on vertical struts, ball latch **part no. 211757/2** (square nuts with position-fixing)
- Weight = 0.095 kg/piece

### Applications

- Fastening easily removable surface elements
- Stop and catch for sliding doors, swing doors, lids

### Assembly

- Fasten to profile groove with supplied hardware
- If applicable, use carrier for catch-bearing 70 **part no. 211137/0**