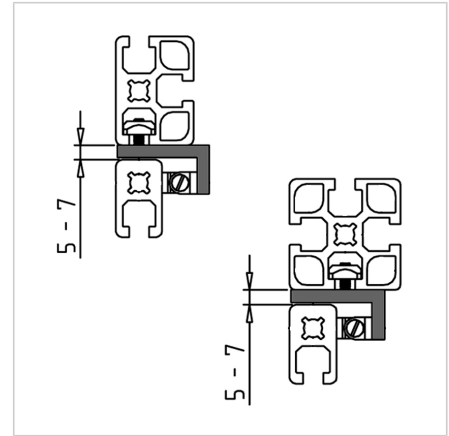
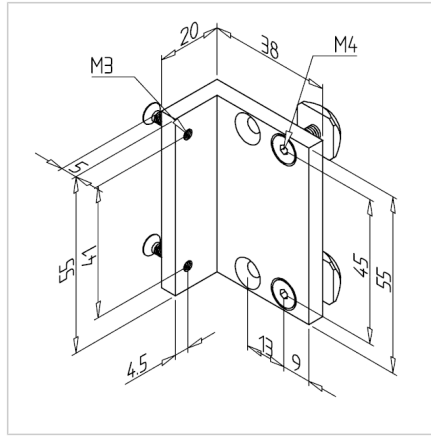
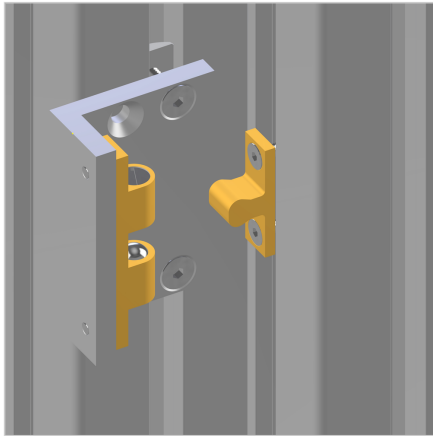


BALL LATCH SUPPORT 50

Code: 211139/0

[Link to the product →](#)



Technical data/items supplied

- Aluminium, anodized E6/EV1
- With fastening material steel, zinc plated
- Weight = 0.050 kg/piece

Applications

- Mounting of ball catch 50 in doors, hatches
- Removable surface elements
- Door stop at the same time

Assembly

- Screw tight to the profile groove with supplied hardware