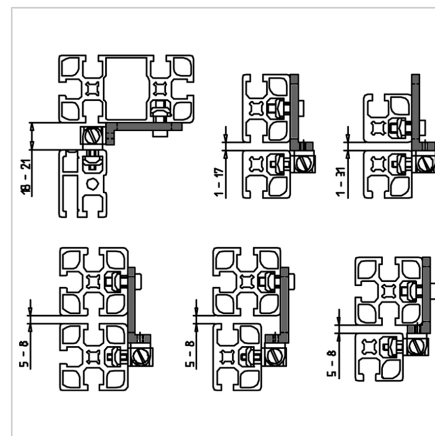
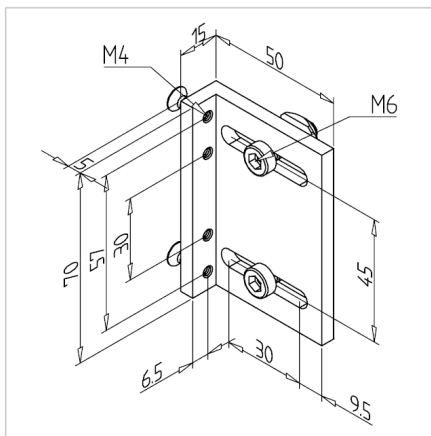
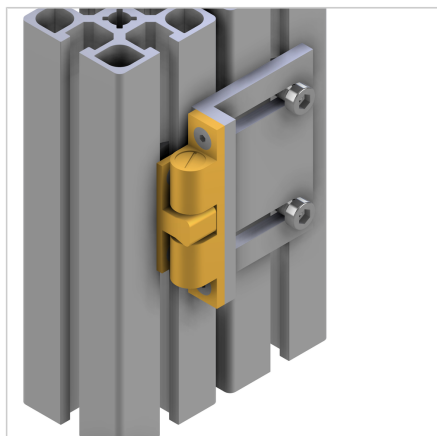


BALL LATCH SUPPORT 70 F WITH SQUARE NUT M8 WITH POSITION-FIXING

Code: 211137/7

Robust support for ball latch 70 F with M8 square nut and position-fixing, ensures secure mounting in aluminum profile systems.

[Link to the product →](#)



Technical data/items supplied

- Aluminium, anodized E6/EV1
- With fastening material steel, zinc plated
- Weight = 0.050 kg/piece

Applications

- Mounting of ball catch 70 in doors, hatches, removable surface elements
- Door stop at the same time
- Shorten the carrier when using profile 32

Assembly

- Screw tight to the profile groove with supplied hardware