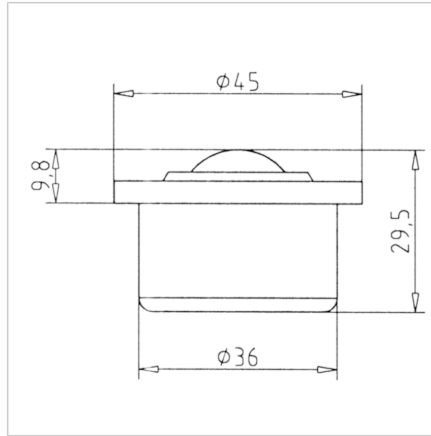


BALL ROLLER SPS 22 B

Code: 350041/0

[Link to the product →](#)



Technical data/items supplied

- Housing made of steel sheet, galvanized, steel balls
- DW 22,2 mm
- Load factor C 1200 N
- Weight = 0.130 kg/piece

Applications

- Ball rollers for conveyor systems and automation systems
- Enable a simultaneous longitudinal and transverse movement
- Installation in work tables or roller tracks
- Ball roller also as suspension for boxes, devices, furniture and appliances

Assembly

- Insert into prepared bore
- Or install with tolerance ring **part no.** 35.0001/0
- Caution: for mounting with tolerance ring of other bore diameter ($37.7 + 0.2$ mm)