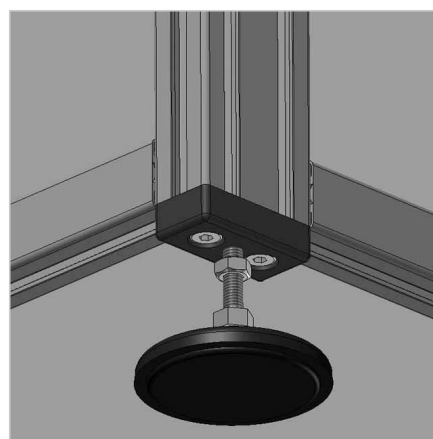
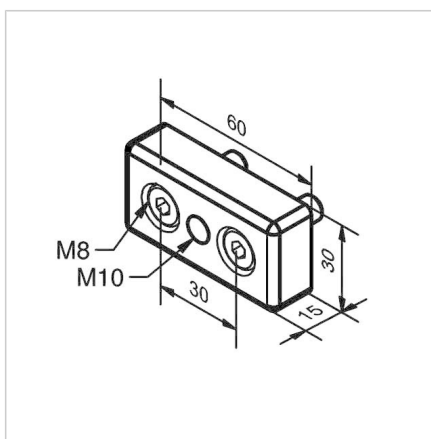


BASE AND TRANSPORT PLATE 30X60 M10

Code: 212115/0

Base plate 30x60 M10 for mounting hinged feet and wheels on aluminium profiles, providing flexible and stable support for various constructions.

[Link to the product →](#)



Technical data/items supplied

- Aluminium, Pressure die-casting, powder-coated, grey
- Fastening kit
- Weight = 0.082 kg/piece

Applications

- Fixing of hinged feet and castors
- Conductive variant **part no.** [21.2115/6/6/0](#)

Assembly

y

- Use fixing material supplied to fix to the end face of the profile