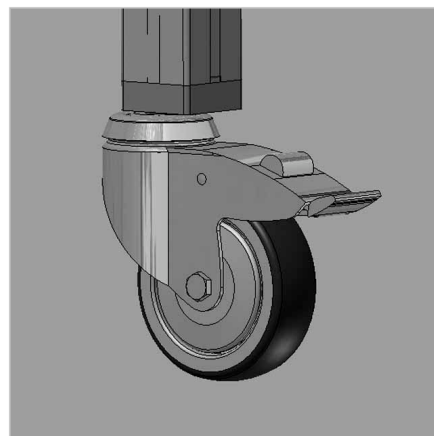
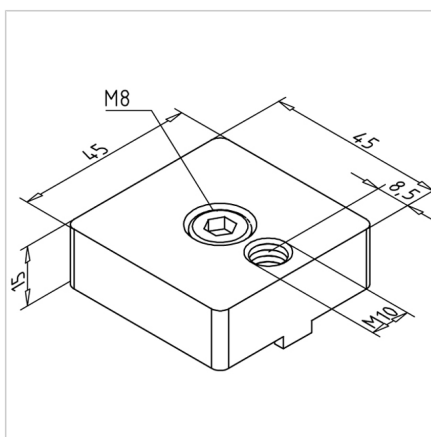
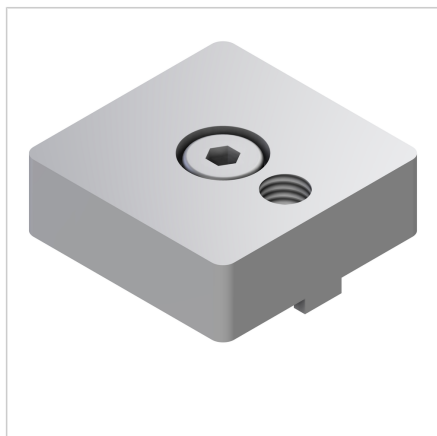


## BASE AND TRANSPORT PLATE 45X45 VA M10

Code: 212059/0

Stainless base plate 45x45 M10 for mounting hinged feet and wheels on aluminium profiles, providing durable, flexible, and stable support for various constructions.

[Link to the product →](#)



### Technical data/items supplied

- Stainless steel
- Fastening kit
- Weight = 0.230 kg/piece

### Applications

- Profile 45 x 45
- Profile 45 x 45 VA
- Height compensation when mounting casters in combination with fixed casters on a movable base frame
- For using feet M10

### Assembly

- Use fixing material supplied to fix to the end face of the profile