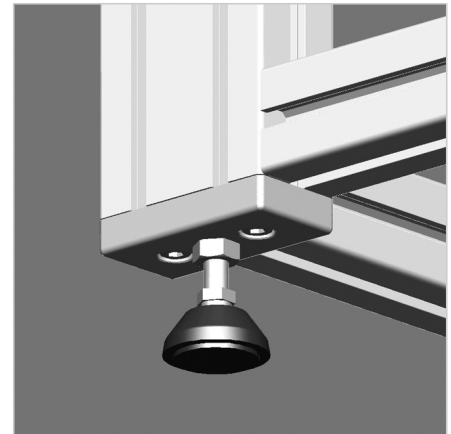
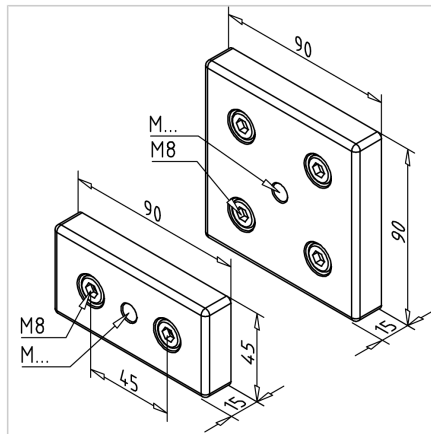
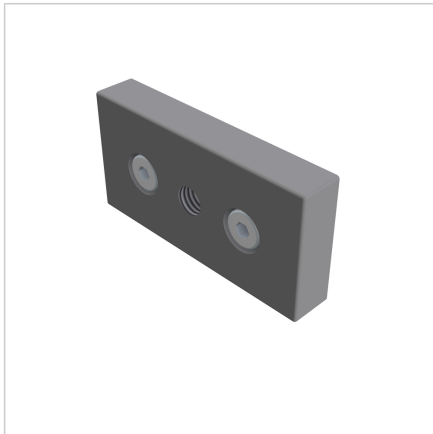


BASE AND TRANSPORT PLATE 45X90 M12 CONDUCTIVE

Code: 211039/6

Conductive base plate 45x90 M12 for mounting hinged feet and wheels on aluminium profiles, providing flexible and stable support for various constructions.

[Link to the product →](#)



Technical data/items supplied

- Aluminium, Pressure die-casting, blasted
- With fastening material steel, zinc plated
- Weight = 0.172 kg/piece

Applications

- Fixation of guide rollers
- Centric attachment of hinged feet to profiles 45 x 90

Assembly

- Use fixing material supplied to fix to the end face of the profile