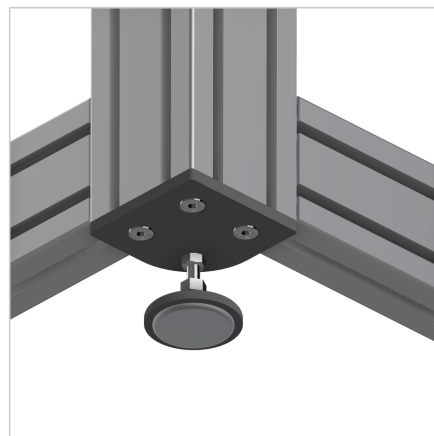
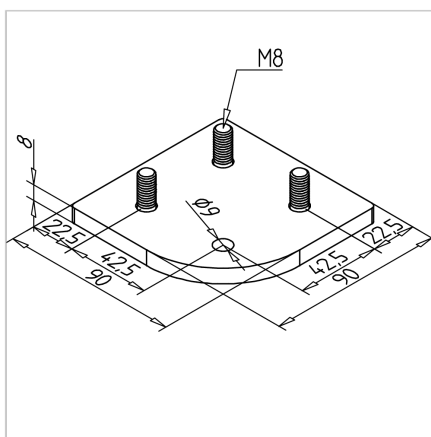
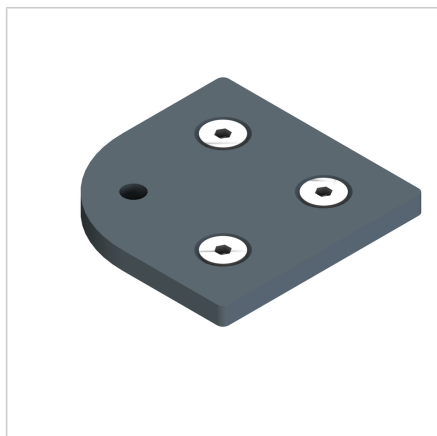


## BASE AND TRANSPORT PLATE 90X90X45

Code: 212505/0

Connecting plate 90x90x45 for strong and precise joining of aluminium profiles. Ideal for reinforcing frames and creating stable constructions.

[Link to the product →](#)



### Technical data/items supplied

- Steel, powder-coated, grey
- With fastening material steel, zinc plated
- Weight = 0.488 kg/piece

### Applications

- To profile 90 x 90 x 45 **part no. 200984/0**
- For fixing articulated feet and rollers

### Assembly

- Front attachment to profile with supplied hardware