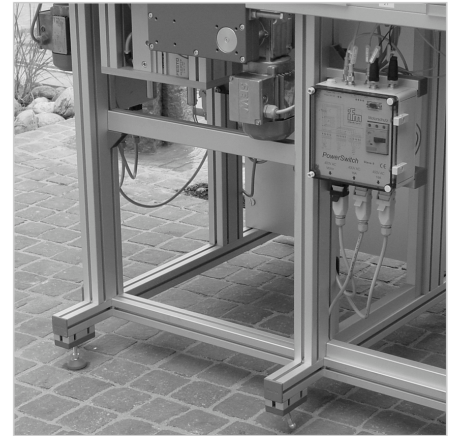
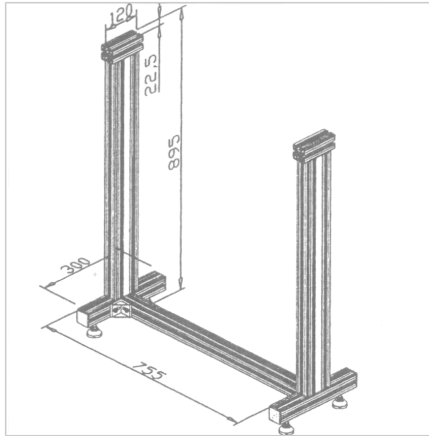


BASE FRAME 200 L=1000

Code: 430030/0

[Link to the product →](#)



Technical data/items supplied

- Aluminium, anodized E6/EV1
- Profile 45 x 45 F, completely assembled
- with fastening material for connecting to the base section
- 4 height adjustable feet
- Create longer lines with additional add-on supports
- Height 895 mm for standard working height of 950 mm
- Length 755 mm for line length of 1000 mm

Applications

- Subframe for transfer system with standard work height of 950 mm
- Suitable for track width 200

Assembly

- Install transverse profiles with mounting brackets on the lower profile groove between the base section.
- Secure to floor with angles and floor anchors