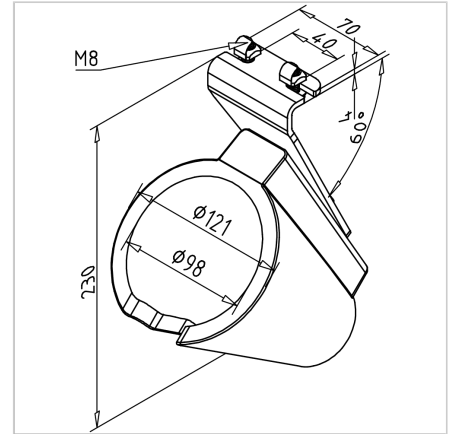
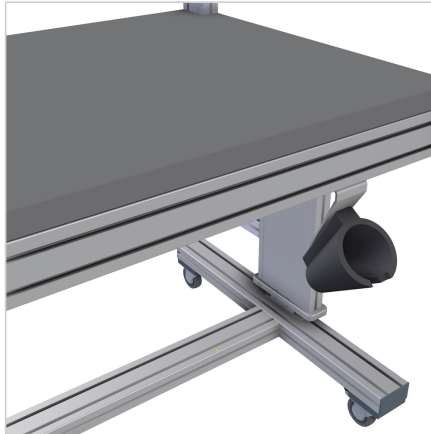
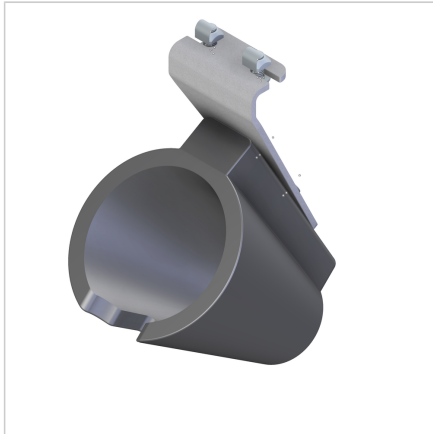


BASE SET TOOL CASE

Code: 263004/0

Tool holder Base Set allows ergonomic placement of tools under the workbench with safe and organized storage.

[Link to the product →](#)



Technical data/items supplied

- Tool quiver, rubber, black
- Holder, stainless steel
- With fastening material steel, zinc plated
- Weight = 0.885 kg/piece

Applications

- For secure storage of drills, battery-operated screwdrivers and other tools
- For ergonomic provision of tools below the work surface

Assembly

Fasten to the profile brace with supplied hardware