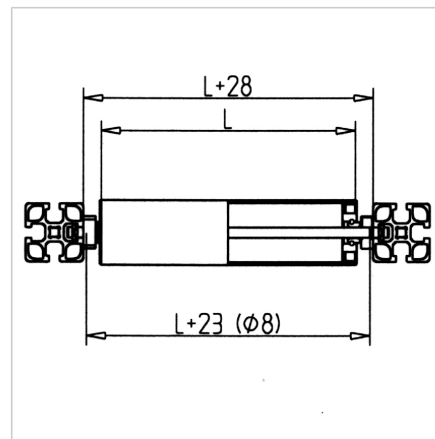
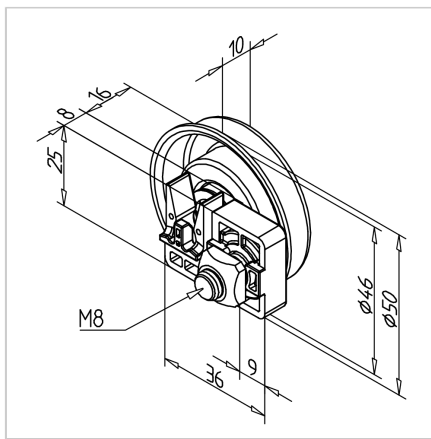


BEARING ASSEMBLY FOR TRANSPORT ROLLER S - 36

Code: 211722/0

[Link to the product →](#)



Technical data/items supplied

- With fastening material steel, zinc plated
- Bearing bushing, steel, with ball bearing
- Locking clip, steel
- Roller carrier, PP grey
- For conveyor rollers from 60 - 1000 mm
- Load/roller max. 33 kg
- Max. tightening torque: 5 Nm
- Weight = 0.070 kg/piece

Applications

- Roller tracks of unlimited length
- Roles are individually interchangeable
- The following is needed to make a conveyor roller:
2x bearing set, ABS
1x tube ABS, aluminium or stainless steel with appropriate length
1x steel shaft with Ø 8 mm
Part no. 17.1840/0 in appropriate length

Assembly

- Assembly of the roller carrier on all profiles of profile series 45 possible
- Mount roller carrier to the profile
- Press bearing bush into the tube (deburr the inside of the tube generously for improved assembly)
- Install shaft Ø 8 mm and secure with locking clip
- Clip in transport roller