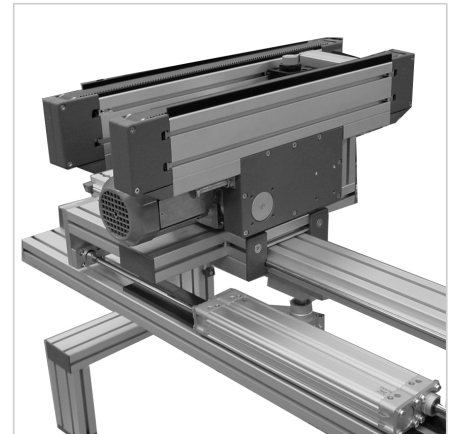
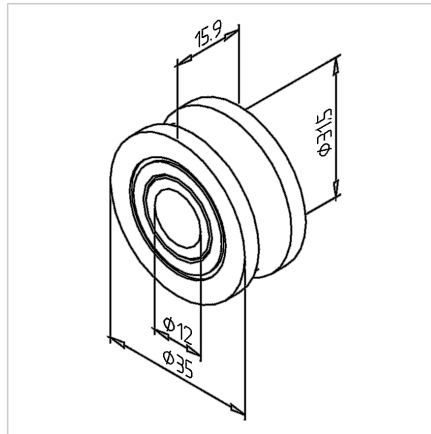
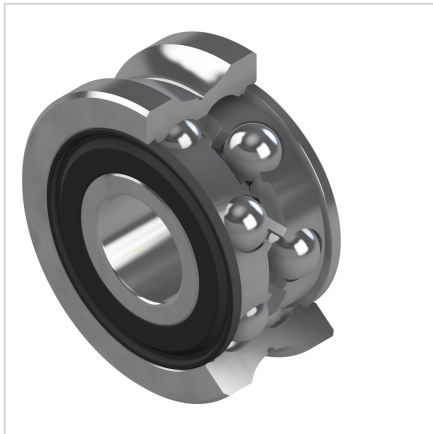


BEARING LR 12 H STAINLESS

Code: 280001/1

Ball bearing KL LR 12 H ZZ for MiniTec linear guides, suitable for precise guidance and compensation of misalignments in parallel linear systems.

[Link to the product →](#)



Technical data/items supplied

- For shaft \varnothing 12 mm
- Rated loads:
dyn. C = 10.5 kN
stat. C₀ = 6.0 kN
- Weight = 0.068 kg/piece

Applications

- All MiniTec-linear guides LR 12

Assembly

- Fastening kit LRK **part no. 280021/0** or
LRE **part no. 280022/0**