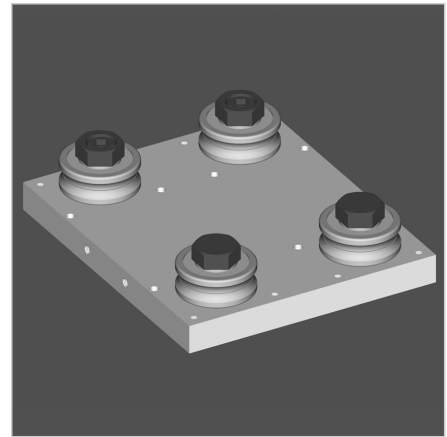
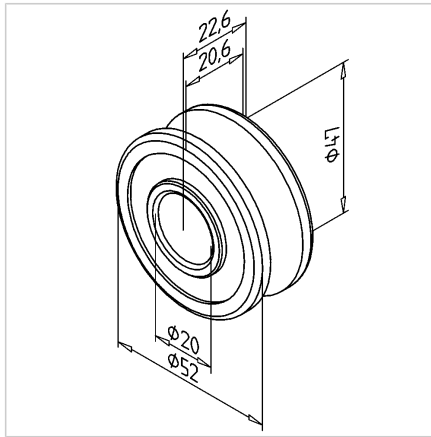
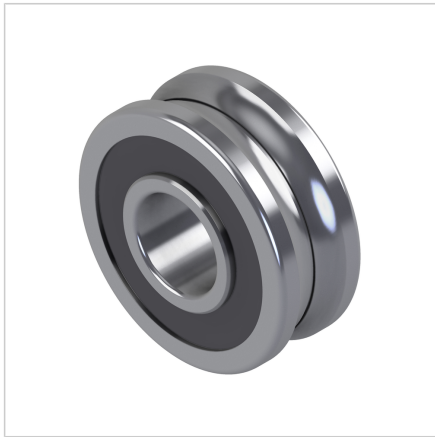


## BEARING LR 16

Code: 501726/0

Ball bearing LR 16 for MiniTec linear guides, suitable for precise guidance and compensation of misalignments in parallel linear systems.

[Link to the product →](#)



### Technical data/items supplied

- Steel, hardened, polished
- 2-row angular ball bearing, wave groove executed as Gothic arch
- For shaft  $\varnothing 16$
- Rated load:  
dyn. C = 13.75 kN  
stat. C<sub>0</sub> = 9.05 kN
- Weight = 0.230 kg/piece

### Applications

- MiniTec linear guide LR16

### Assembly

- Fastening using concentric bolts, **part no. 280814/0** or adjustable with eccentric bushing **part no. 280813/0** and screw M 12x40 **part no. 21.1257/0**