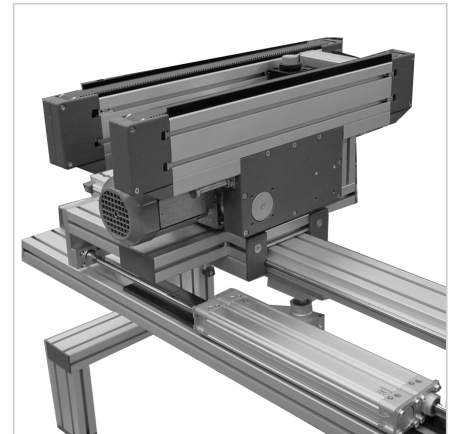
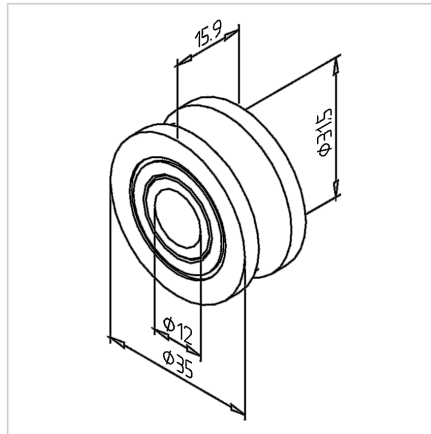


BEARING LR12

Code: 280001/0

Ball bearing LR 12 for MiniTec linear guides, suitable for precise guidance and compensation of misalignments in parallel linear systems.

[Link to the product →](#)



Technical data/items supplied

- Steel, hardened, polished
- 2-row angular ball bearing, wave groove executed as Gothic arch
- For shaft \varnothing 12 mm
- Rated loads:
dyn. C = 10.5 kN
stat. C₀ = 6.0 kN
- Stainless version **part no.** 280001/1
- Weight = 0.068 kg/piece

Applications

- All MiniTec-linear guides LR 12

Assembly

- Fastening kit LRK **part no.** 280021/0 or LRE **part no.** 280022/0