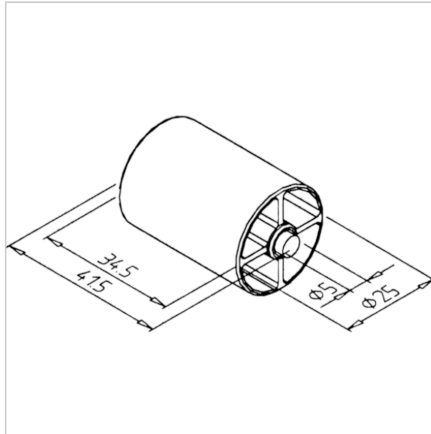


BEARING ROLLER D 25 MASSIVE

Code: 211703/0

Small conveyor rollers provide reliable performance for roller tracks and ensure efficient product movement

[Link to the product →](#)



Technical data/items supplied

- POM
- Sustainability per roller 100 N
- Weight = 0.027 kg/piece

Applications

- Production of small roller conveyors in connection with profile 45 x 45 R, **part no. 201046/0**

Assembly

- Press rollers in desired number and pitch into roller carrier
Roller carrier 45 x 45 R with cover **part no. 221151/0**
Roller carrier 45 x 45 R with SF cover **part no. 221152/0**