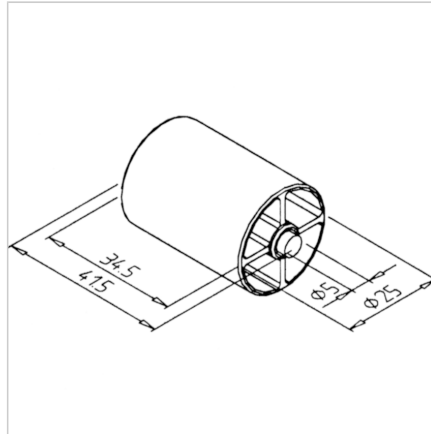
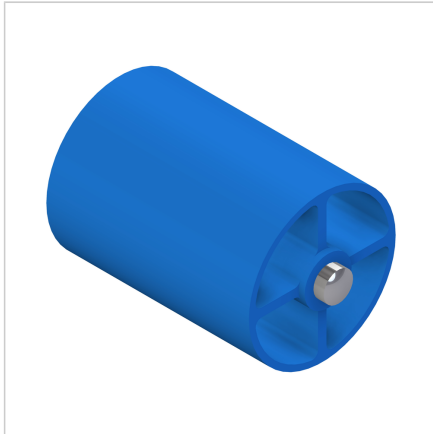


BEARING ROLLER D 25

Code: 211701/0

Small conveyor rollers ensure smooth material flow, easy handling and reliable performance in small conveyor systems.

[Link to the product →](#)



Technical data/items supplied

- ABS, blue
- Axe \varnothing 5, stainless steel
- Bearing capacity per roller 20 N
- For higher loads use Pulley D 25 compact **part no. 211703/0**
- Weight = 0.008 kg/piece

Applications

- Production of small roller conveyors in connection with profile 45 x 45 R, **part no. 201046/0**

Assembly

- Press rollers in desired number and pitch into roller carrier
Roller carrier 45 x 45 R with cover **part no. 221151/0**
Roller carrier 45 x 45 R with SF cover **part no. 221152/0**