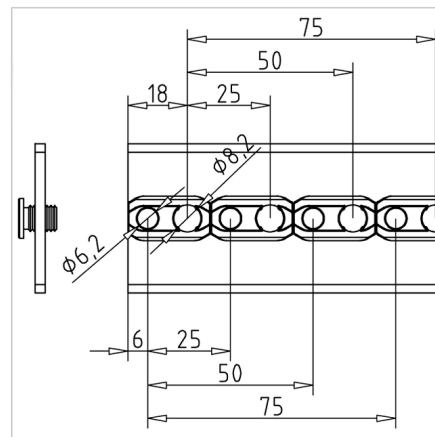
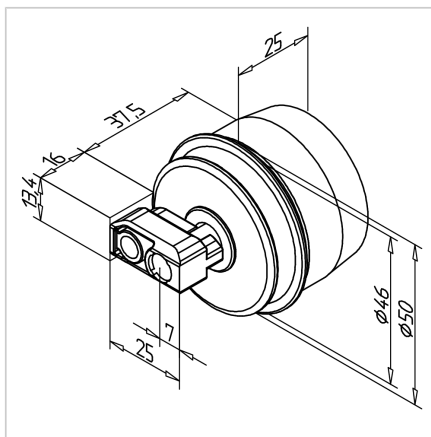


BEARING SET FOR CONVEYOR ROLLER -25

Code: 210894/0

[Link to the product →](#)



Technical data/items supplied

- Bearing bushing, PA 6
- Axle bolt, steel
- Roller carrier, ABS grey
- For conveyor rollers from 60 - 1000 mm
- Load/roller max. 20 kg
- Weight = 0.044 kg/piece

Applications

- Roller tracks of unlimited length
- Drive via round belt \varnothing 5 mm possible
- The following is needed to make a conveyor roller:
2x bearing set, ABS
1x tube ABS, aluminium or stainless steel with appropriate length
(For tube lengths, see Part no. [210890/0](#) or [210892/0](#))

Assembly

- Assembly of the roller carrier on all profiles of profile series 45 possible
- Press bearing bush into the tube (deburr the inside of the tube generously for improved assembly)
- Insert axle bolt in bearing bush
- Place roller carrier on axle and insert in profile groove
- For axial securing of the roller carriers, we recommend fixing the T-slot bars or square nuts in the profile groove with setscrews or close off the profile end with an end cap AL