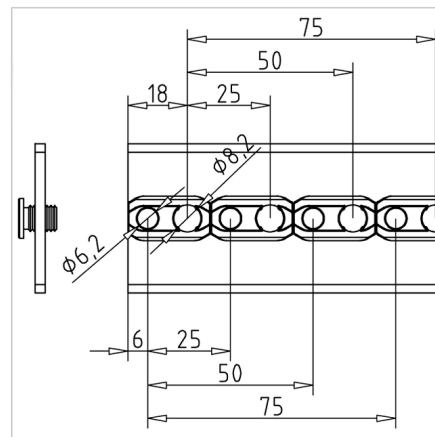
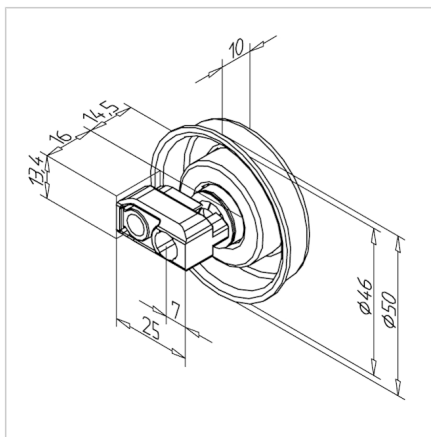


## BEARING SET FOR CONVEYOR ROLLER S -25

Code: 210893/0

[Link to the product →](#)



### Technical data/items supplied

- Bearing bushing, steel, with ball bearing
- Locking clip, steel
- Roller carrier, ABS grey
- For conveyor rollers from 60 - 1000 mm
- Load/roller max. 33 kg
- Weight = 0.056 kg/piece

### Applications

- Roller tracks of unlimited length
- The production of a conveyor roller requires:  
2x ABS bearing set  
1x tube ABS, aluminium or stainless steel in appropriate length  
1x steel shaft with  $\varnothing 8$  mm **Part no.** 17.1840/0 in appropriate length  
(For length data of tube and shaft, see Part no. [210891/0](#) or [210895/0](#))

### Assembly

- Assembly of the roller carrier on all profiles of profile series 45 possible
- Press bearing bush into the tube (deburr the inside of the tube generously for improved assembly)
- Install shaft  $\varnothing 8$  mm and secure with locking clip
- Place roller carrier on axle and insert in profile groove
- For axial securing of the roller carriers, we recommend fixing the T-slot bars or square nuts in the profile groove with setscrews or close off the profile end with an end cap AL