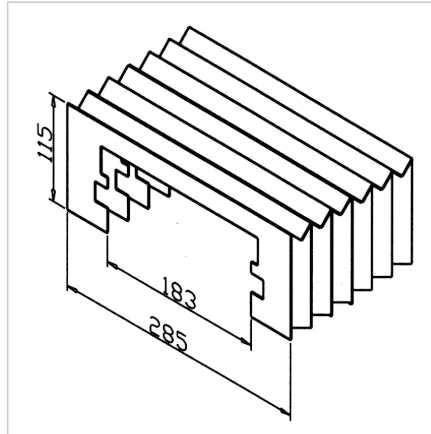


BELLOW LR 180 FOLD NUMBER:

Code: 333009/0

Protective flexible bellows LR 180 for linear guides, shielding from dust and debris to extend the service life of the guides.

[Link to the product →](#)



Technical data/items supplied

- Plastic, black with plastic frame
- Without fastening kit
- Length when pushed together for 1 m travel: - 130 mm
- Max. length 6 m
- Temperature resistant(-30° to +90°C)
- Resistant to most acids and oils
- Weight = 0.950 kg/m

Applications

- Cover of MiniTec linear guides LR 180
- Rough working conditions, dust, chips

Assembly

- Push bellow onto rail
- Fasten ends with attachment for bellows **part no. 333012/0** to carriage or reverse unit
- Bellow is supplied without perforation
- Due to the bellows, the usable travel distance is reduced by approx. 22%
- Caution: Consider higher friction moment when dimensioning drive unit!