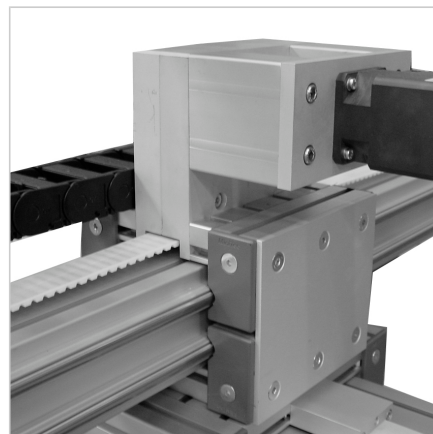
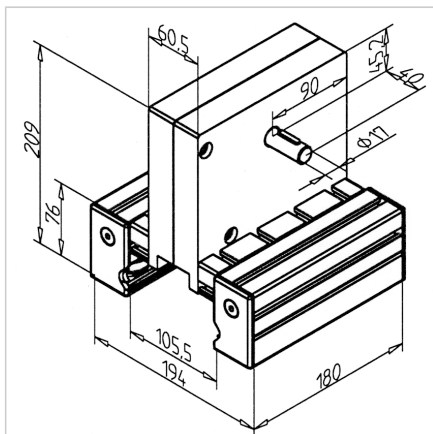


## BELT DRIVE 90

Code: 280249/0

Timing belt drive 90 for linear guides with long travels and Z-axis for precise and reliable motion transmission.

[Link to the product →](#)



### Technical data/items supplied

- Aluminium, anodized E6/EV1
- Shaft end  $\varnothing$  17 mm for motor connection
- 2 idler pulleys aluminium, integrated in linear slide LW 90
- Weight = 6.789 kg/piece

### Applications

- MiniTec linear guides LR with extremely long travels, z-axis
- Use with rail 45 x 90 F, rail 90 or 90 x 180 H

### Assembly

- Guide the timing belt through the timing belt drive, slide it onto the rail and adjust it without play
- Fix timing belt end to rail end with timing belt tensioner **part no. 280090/0** and fastening plate for rail 90 **part no. 280057/0** or for rail 45 x 90 F **part no. 280055/0**
- Tighten the timing belt
- Belt length: Rail length + 212 mm