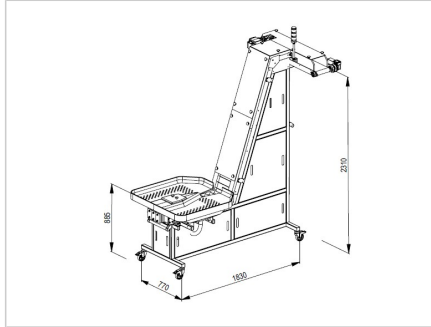


BELT ELEVATOR FOR PHARMACY

Code: 3002622/0

Dimensions, materials, drives, and additional equipment according to preferences and requirements.

[Link to the product →](#)



Technical data/items supplied

- Stainless steel conveyor construction
- powder-coated steel base structure,
- enclosed frame design,
- standard speed 10 m/min or as agreed,
- reinforced PU food-grade conveyor belt with ribs and side walls,
- 3-phase 380 V electric motor with drive,
- vibratory hopper for dosing pastilles, tablets, etc.,
- additional equipment or configuration as agreed.