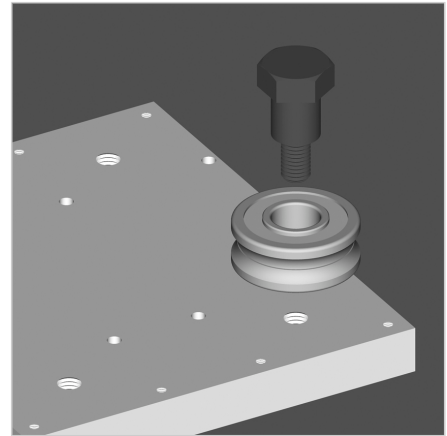
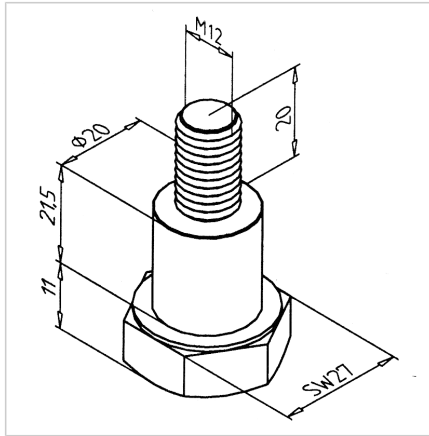
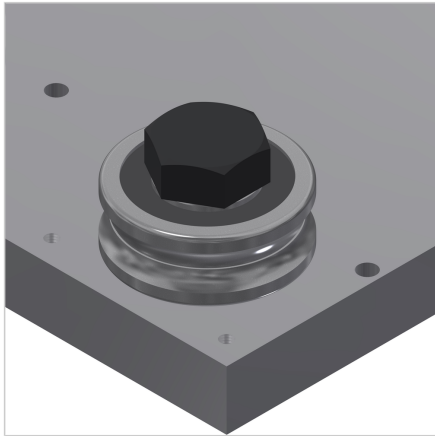


BOLT CONCENTRIC LR 16

Code: 280814/0

[Link to the product →](#)



Technical data/items supplied

- Steel, zinc phosphated, black
- Bolt M12 concentric
- Weight = 0.121 kg/piece

Applications

- MiniTec linear guide LR16
- Concentric mounting of ball bearings LR 16

Assembly

- MiniTec linear guides LR 16
- Recommended torque: 50 Nm