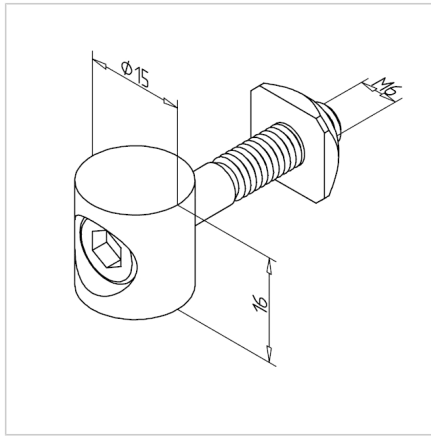
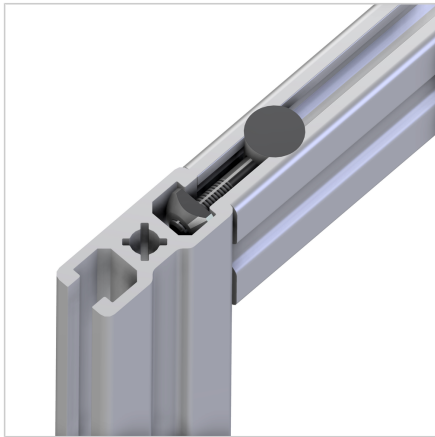


## BOLT FASTENER 15

Code: 211024/0

Bolt connector 15 for 19 and 32 mm profiles, ideal for retrofitting additional profiles onto supports in existing aluminum constructions.

[Link to the product →](#)



### Technical data/items supplied

- Aluminium, anodized E6/EV1
- With fastening material steel, zinc plated
- Weight = 0.032 kg/piece

### Applications

- Connection of profiles 19 and 32
- Especially for post-mounting of additional profiles in existing constructions

### Assembly

- Insert the stepped bore  $\varnothing 9 \times 15, 16$  mm deep, positioned 22.5 mm from the end of the profile to the center of the groove
- Insert the connector and pre-tighten the screw with the ball head wrench SW 4
- Fastening with Allen wrench
- Recommended locking torque: 15 Nm